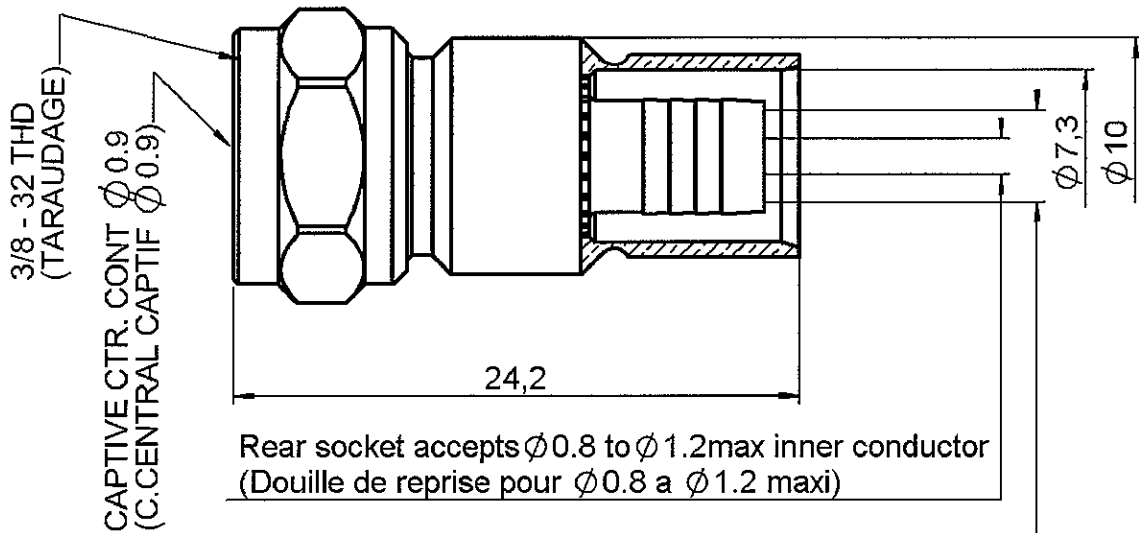


STRAIGHT PLUG CRIMP TYPE

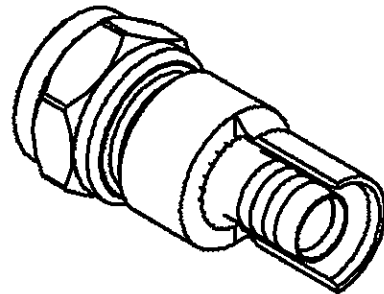
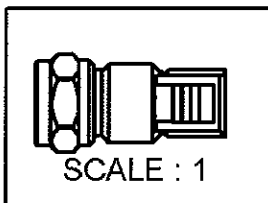
R139.085.100

CABLE 6/75 S

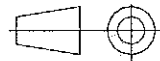
Series : DT-F



Accepts Ø3.85 dielectric max
(Accepte dielectrique Ø3.85 maxi)



All dimensions are in mm.



COMPONENTS	MATERIALS	PLATINGS (µm)
BODY	BRASS	BBR 2
CENTER CONTACT	BERYLLIUM COPPER, BRASS	GOLD 0.75 OVER NICKEL 2 + SILVER 3
OUTER CONTACT	-	-
INSULATOR	PTFE	-
GASKET	-	-
OTHERS PARTS	BRASS	BBR 2
-	-	-
-	-	-

Issue : 0608 D

In the effort to improve our products, we reserve the right to make changes judged to be necessary.



RADIALL®

STRAIGHT PLUG CRIMP TYPE

R139.085.100

CABLE 6/75 S

Series : DT-F

PACKAGING

Standard	Unit	Other
100	'W' option	Contact us

SPECIFICATION

ELECTRICAL CHARACTERISTICS

Impedance		75 Ω
Frequency		0-3 GHz
VSWR	1.02 +	0,1000 x F(GHz) Maxi
Insertion loss		0.085 √F(GHz) dB Maxi
RF leakage	-(NA - F(GHz)) dB Maxi
Voltage rating		500 Veff Maxi
Dielectric withstanding voltage		1500 Veff mini
Insulation resistance		5000 MΩ mini

CABLE ASSEMBLY

Stripping	a	b	c	d	e	f
mm	3,00	7,00	0,00	0,00	1,00	0,00

Assembly instruction :

Recommended cable(s)
BELN 9104

Cable retention

- pull off 80 N mini
- torque NA N.cm

MECHANICAL CHARACTERISTICS

Center contact retention		
Axial force – Mating end	15	N mini
Axial force – Opposite end	15	N mini
Torque	NA	N.cm mini

TOOLING

Part Number	Description	Hexagon
.	.	.
R282.235.041		7.37
R282.293.000	CRIMPING TOOL	-

Recommended torque

Mating	60	N.cm
Panel nut	NA	N.cm
Clamp nut	NA	N.cm
A/F clamp nut	0,0000	mm

Mating life	500	Cycles mini
Weight	7,8240	g

OTHERS CHARACTERISTICS

ENVIRONMENTAL

Operating temperature	-55/+155	°C
Hermetic seal	NA	Atm.cm3/s
Panel leakage	NA	

Issue : 0608 D

In the effort to improve our products, we reserve the right to make changes judged to be necessary.



RADIALL®

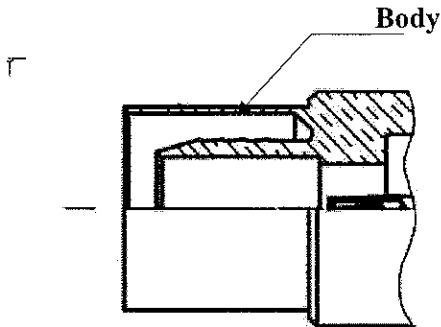
STRAIGHT PLUG CRIMP TYPE

R139.085.100

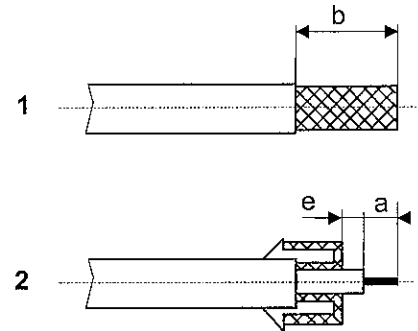
CABLE 6/75 S

Series : DT-F

COMPOSANTS

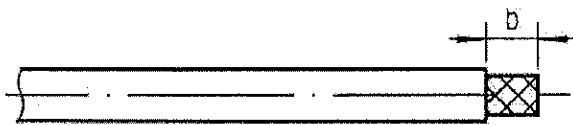


STRIPPING COTATION



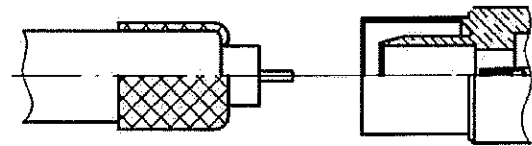
1

Strip the cable.



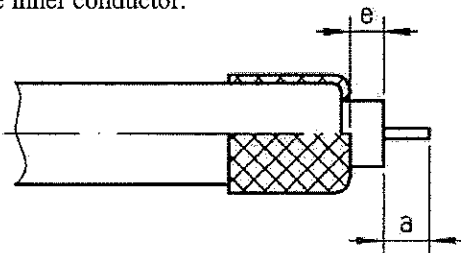
3

Slide the cable into the body and push until it stops



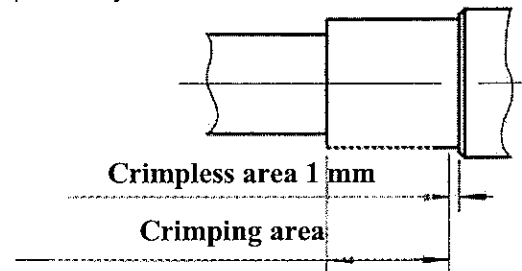
2

Fold braid back.
Strip the inner conductor.



4

Crimp the body



Issue : 0608 D

In the effort to improve our products, we reserve the right to make changes judged to be necessary.



RADIALL®